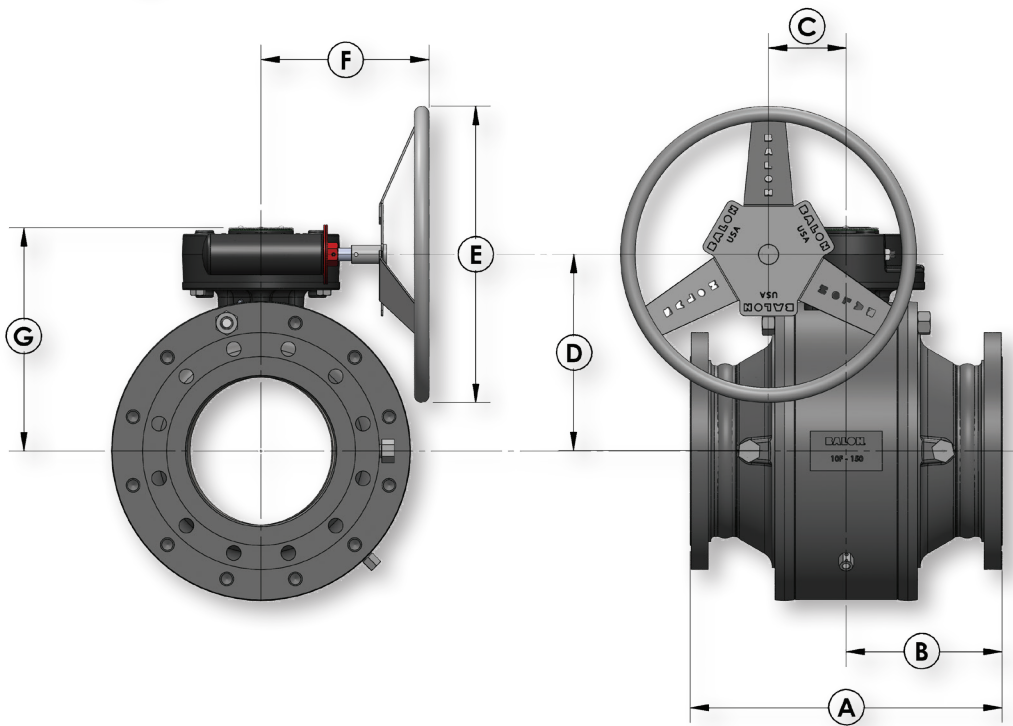


# Series T Trunnion Valves ANSI Class 150



## Series T Carbon Steel

- 100% Made in USA
- ANSI Class 150 (285 PSI WP)
- 6" through 12"
- Bolted Body Construction
  - Certified Low Emission Per API 641
  - Certified Fire Safe per API 6FA
  - Exclusive Balon Gearbox (See page G-2)
  - Multi-Seal Seats (See page B-5)
  - Temperature rating of -20° to 250°F
  - Available in Low-Temp Service to -50°F
  - Also Available with Buttweld Ends and Weld x Flange Configurations (See page T-12)



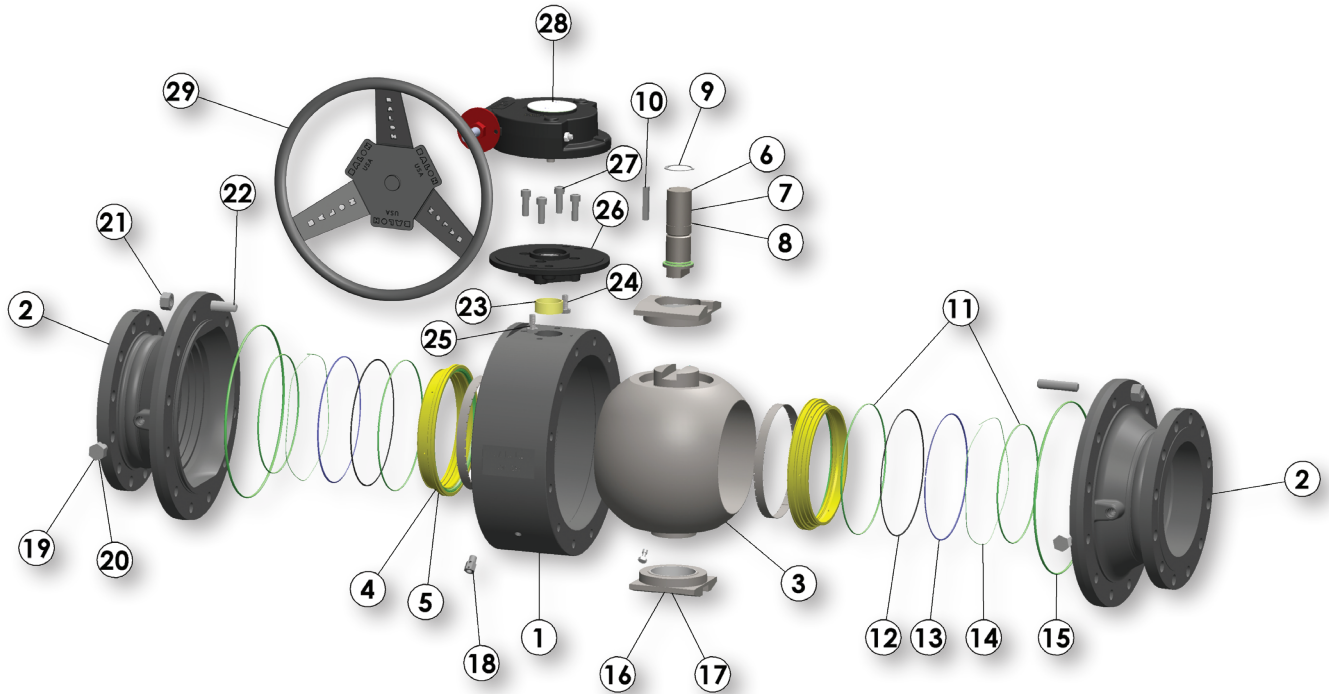
### Dimensional Data

SIZE	CATALOG NUMBER			PORT	A	B	C	D	E	F	G	LBS.
	STANDARD TRIM CARBON STEEL BALL & STEM	NACE TRIM CARBON STEEL BALL & STEM*	NACE TRIM 316 SS BALL & STEM*									
6x6x6	6F-T13-RF	6F-T13CN-RF*	6F-T13SN-RF*	6	15.50	7.75	4.06	9.69	14	9.00	11.31	370
8x8x8	8F-T13-RF	8F-T13CN-RF*	8F-T13SN-RF*	8	18.00	9.00	5.25	11.75	20	11.56	13.68	734
10x10x10	10F-T13-RF	10F-T13CN-RF*	10F-T13SN-RF*	10	21.00	10.50	5.25	13.26	20	13.56	15.25	937.5
12x12x12	12F-T13-RF	12F-T13CN-RF*	12F-T13SN-RF*	12	24.00	12.00	3.04	18.85	20	11.85	20.60	1481

\* NACE Valves are also available in low temp at -50° to 250°F. Call factory for details.

# Series T Trunnion Valves ANSI Class 150

## Series T Carbon Steel



### Material Description

ITEM	PART NAME	STANDARD TRIM	CARBON STEEL NACE	STAINLESS STEEL NACE
1	Body	ASTM A105, Normalized	ASTM A105, Normalized	ASTM A105, Normalized
2	Adapter	ASTM A105, Normalized	ASTM A105, Normalized	ASTM A105, Normalized
3	Ball	Carbon Steel Nickel Chrome Plated	Carbon Steel Nickel Chrome Plated	316 Stainless Steel
4	Seat Carrier	Carbon Steel Nickel Chrome Plated	Carbon Steel Nickel Chrome Plated	316 Stainless Steel
5	Seat Insert	Nylon 11/Acetal	Nylon 11/Acetal	Nylon 11/Acetal
6	Stem	Carbon Steel	Carbon Steel	316 Stainless Steel
7	Stem O-Ring	Buna-N	Fluorocarbon	Fluorocarbon
8	Stem Thrust Washer	TFE	TFE	TFE
9	Snap Ring	Carbon Spring Steel	Carbon Spring Steel	Carbon Spring Steel
10	Stem Key	Steel Key Stock	Steel Key Stock	Steel Key Stock
11	Seat O-Ring	Buna-N	Fluorocarbon	Fluorocarbon
12	Fireseal	Graphite	Graphite	Graphite
13	Fireseal Support Ring	Stainless Steel	Stainless Steel	Stainless Steel
14	Spring	Inconel X-750	Inconel X-750	Inconel X-750
15	Body O-Ring	Buna-N	Fluorocarbon	Fluorocarbon
16	Bearing Block	Carbon Steel	Carbon Steel	Stainless Steel
17	Trunnion Bearing	316 SS/TFE	316 SS/TFE	316 SS/TFE
18	Bleed Fitting	316 Stainless Steel	316 Stainless Steel	316 Stainless Steel
19	Sealant Injection Fitting	Alloy Steel	Alloy Steel	Alloy Steel
20	Internal Check Fitting	316 Stainless Steel	316 Stainless Steel	316 Stainless Steel
21	Nuts	ASTM A194 2H	ASTM A194 2HM	ASTM A194 2HM
22	Studs	ASTM A193 B7	ASTM A193 B7M	ASTM A193 B7M
23	Stem Bearing	Glass/TFE	Glass/TFE	Glass/TFE
24	Hexhead Capscrew	Alloy Steel	Alloy Steel	Alloy Steel
25	Lock Washer	Alloy Steel	Alloy Steel	Alloy Steel
26	Adapter Plate	Ductile Iron	Ductile Iron	Ductile Iron
27	Capscrews	Alloy Steel	Alloy Steel	Alloy Steel
28	Gear Operator	Ductile Iron	Ductile Iron	Ductile Iron
29	Handwheel	Carbon Steel	Carbon Steel	Carbon Steel